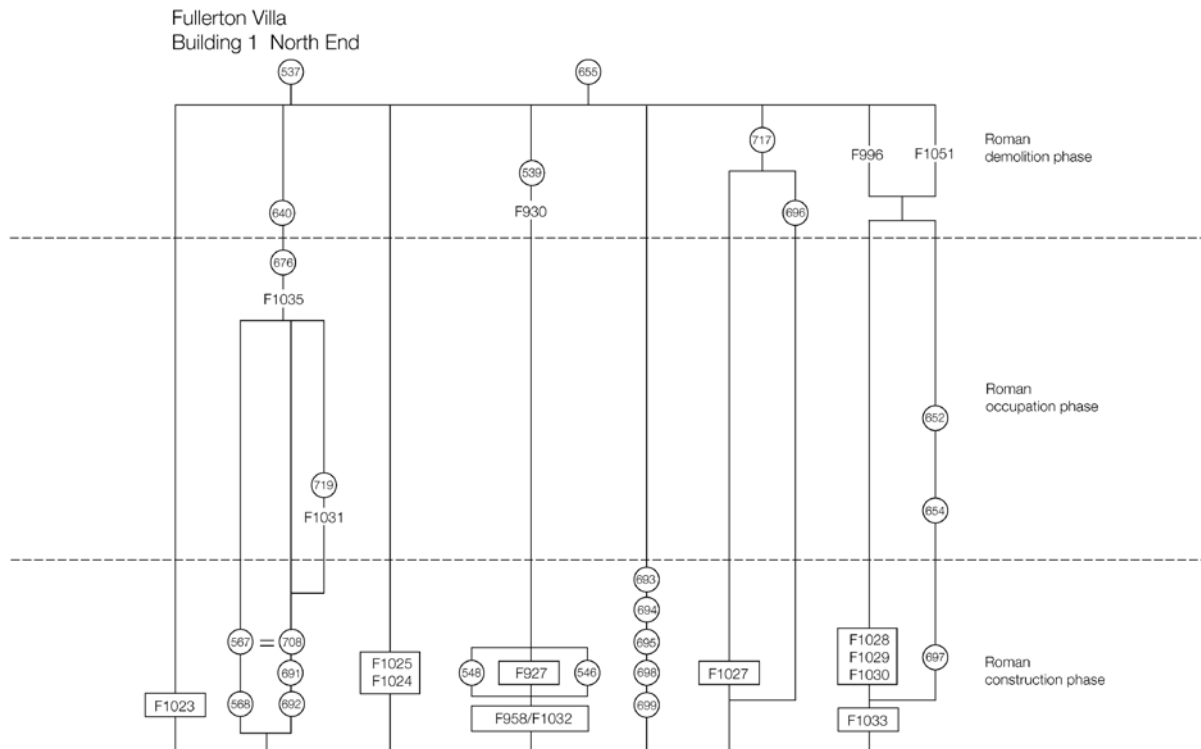
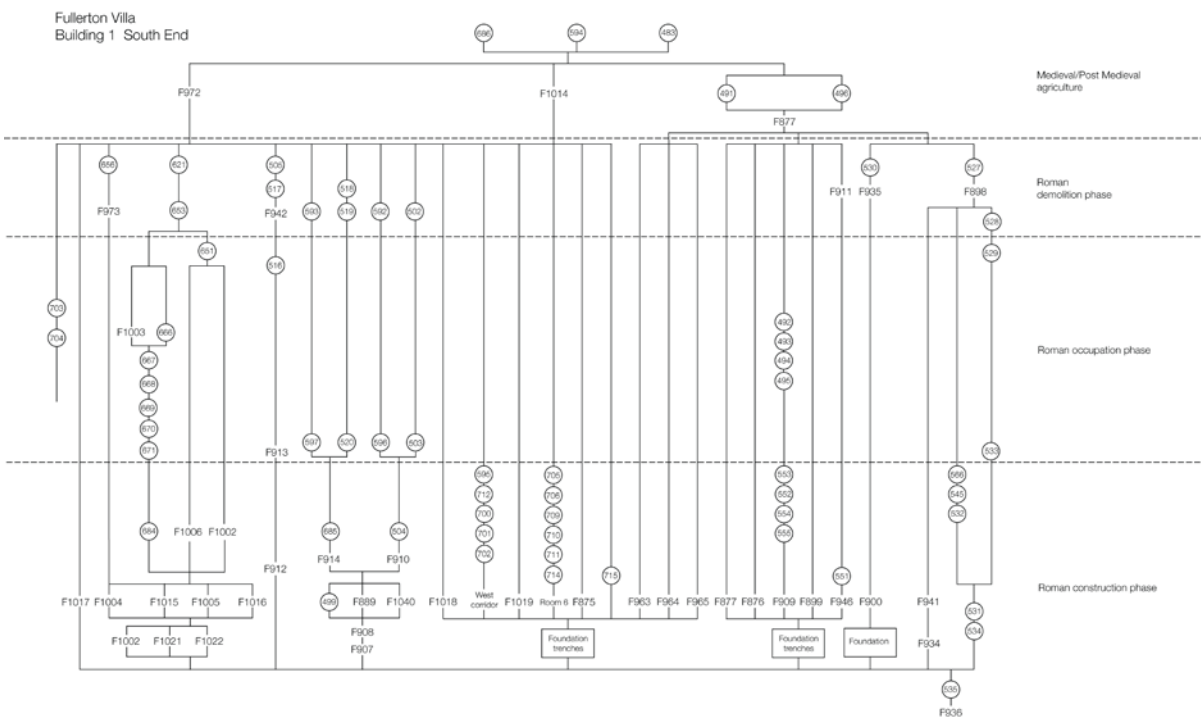


6 MATRICES

Building 1, north end



Building 1, south end



Trench 5: the mills

Fullerton Villa
Trench 5

